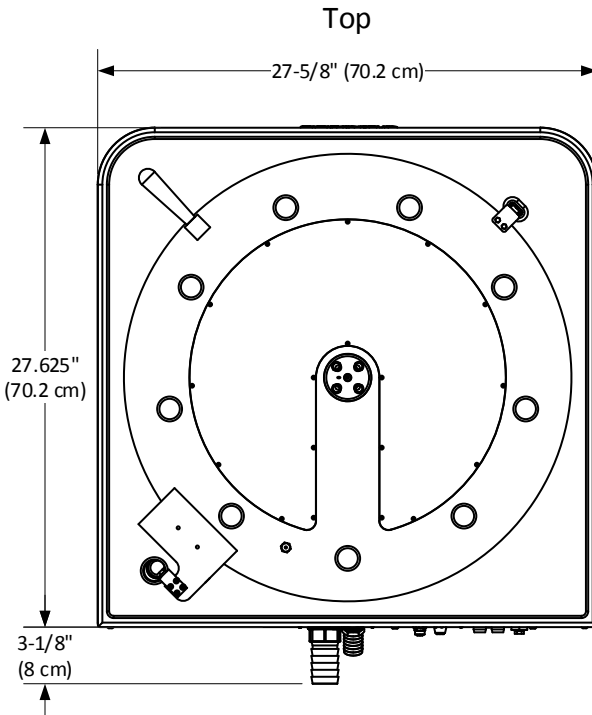
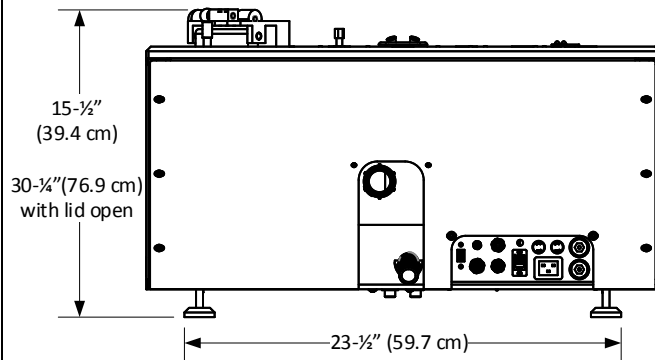


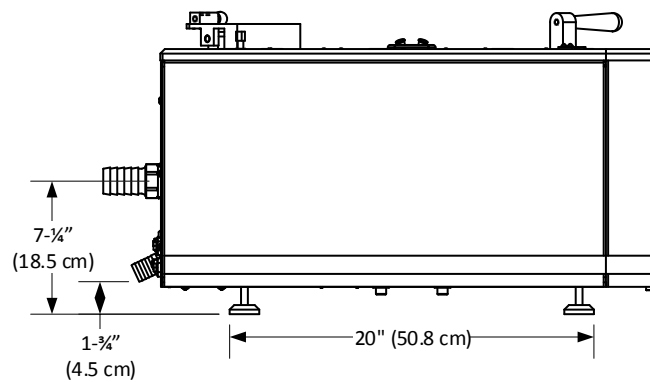
Note: Dimensions are for standard equipment and may vary with added accessories.



Rear

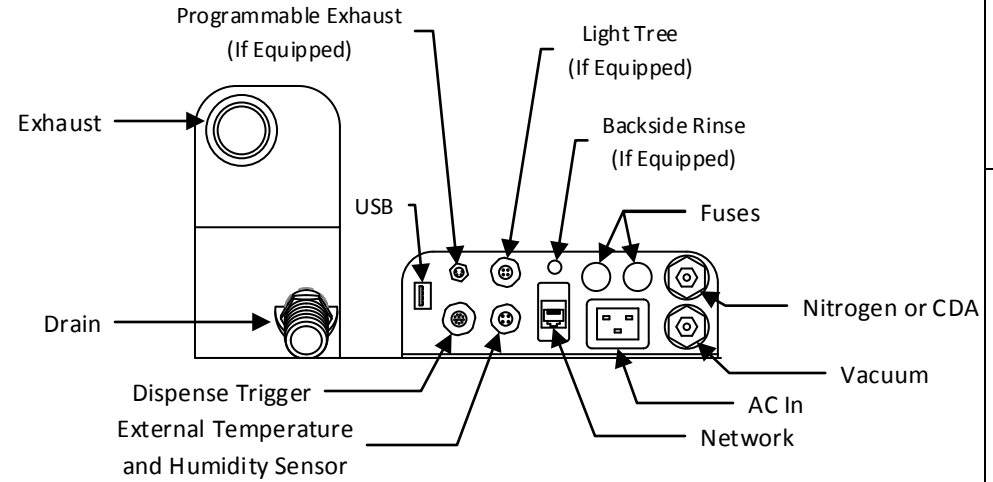


Side



**Required Utilities:**

<b>Nitrogen or CDA</b>	1/4" NPT female thread	70 PSI (482 kPa)
<b>Vacuum</b>	1/4" NPT female thread	> 20" Hg Vacuum (< 33 kPa abs)
<b>Drain</b>	3/4" OD tube	
<b>Exhaust</b>	1.5" OD tube	20-50cfm at 0.2" water (0.6-1.4 cubic meter/min)
<b>Electrical</b>	Cord provided	208-240VAC, 1 Phase, 50/60 Hz, 1440W (6A)



**Apogee 450 Spin Coater Utilities**

Cost Effective Equipment  
3703 HyPoint Blvd  
Rolla, MO 65401  
Phone: (573) 466-4300



Published 10/23/2019 - Rev A

THESE DRAWINGS/SPECIFICATIONS ARE THE EXCLUSIVE PROPERTY OF COST EFFECTIVE EQUIPMENT, LLC. THEY SHALL NOT BE REPRODUCED OR COMMUNICATED TO OTHERS, IN WHOLE OR IN PART, NOR BE USED AS A BASIS FOR MANUFACTURE OR SALE OF THE ITEMS REPRESENTED, WITHOUT THE WRITTEN PERMISSION OF COST EFFECTIVE EQUIPMENT, LLC.