

# Edge Bead Removal

Edge Bead Removal (EBR) removes excess material from the edge of a coated substrate. A solvent is applied to the outside perimeter of the spinning substrate, removing the photoresist at the edge.



*Serving the Semiconductor Industry Since 1987*

## SPECIFICATIONS

- Viscosity range: 1-100 cps
- Max fluid pressure: 29 psi
- Tubing OD: 1/8" (0-100 cps)
- Valve Size: 1/8" (0-100 cps)
- Manual adjustment of pressure, rate, and timing (~0.1 second)
- Reservoir sizes: 1 gallon to 10 gallons

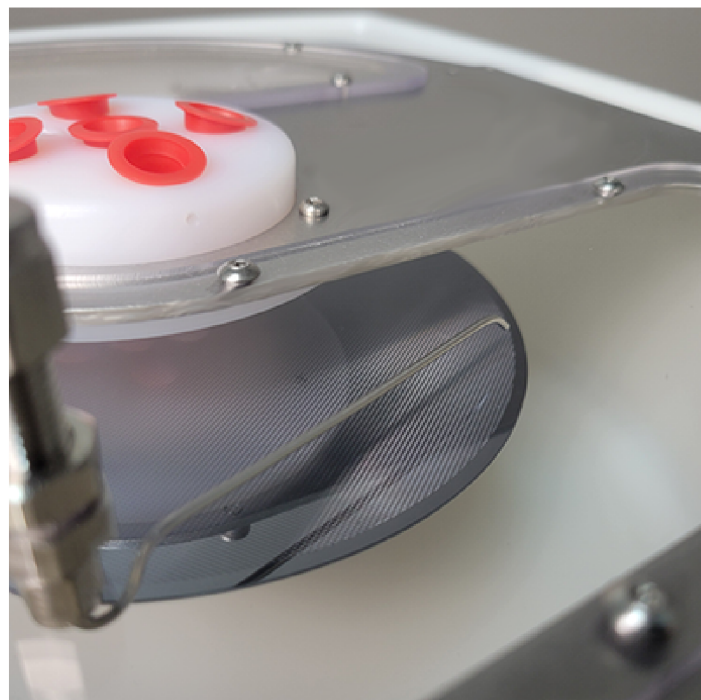
\*Common materials include acetone, IPA, PGME, PGMEA, and other solvents

## DESIGN

- Fluid path consists of PFA, PTFE, and 304/316 stainless steel (fully passivated)
- PFA closure o-rings
- PTFE empty sensor
- Integrated manual vent valve
- Oversized opening for easy filling
- PTFE dispense valve with flow rate and suckback adjustment
- Manually adjustable nozzle
- Optional PFA coating

## RELIABILITY

- Industry leading uptime
- 1-year full warranty on parts and labor
- Complimentary remote technical support for the life of the product
- Application process assistance for the life of the product

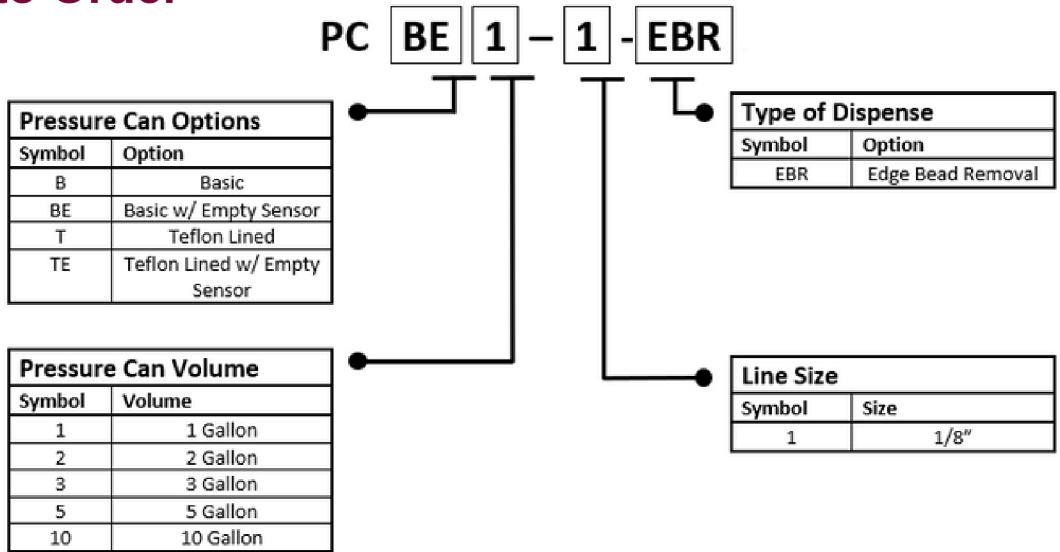


## COMPONENTS

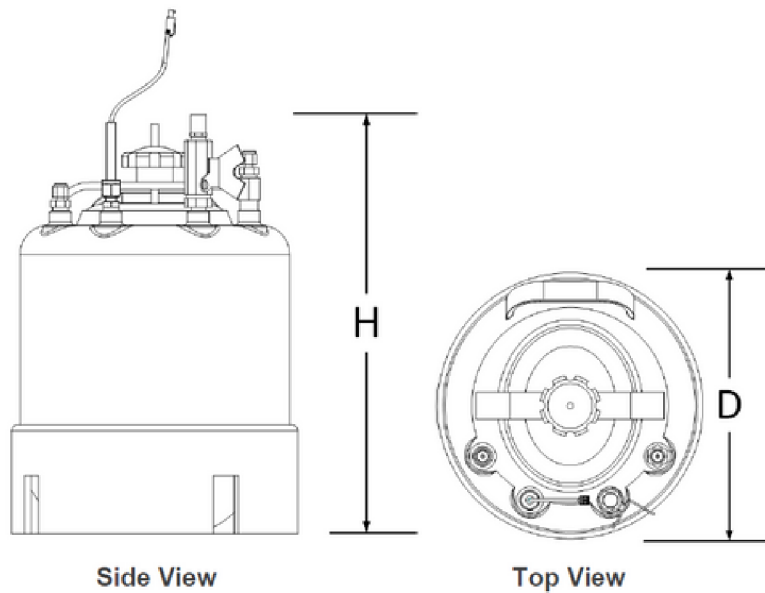
- Pressure canister w/ fittings and empty sensor
- Dispense valve with 12" of PFA tubing (fluid output)
- Manually adjustable nozzle (installed in the bowl)
- 6ft (2m) of 1/8" green poly tubing (N2 source)
- 6ft (2m) of 1/8" clear poly tubing (valve trigger)
- 6ft (2m) of 1/8" PFA tubing (fluid source)

\*Dispense control box required, sold separately

# How to Order



# DIMENSIONS



Size	Height (H)	Diameter (D)
1 Gallon	11.5 in (29.2 cm)*	10 in (25.4 cm)
2 Gallon	14.5 in (36.8 cm)*	10 in (25.4 cm)
3 Gallon	18 in (45.7 cm)*	10 in (25.4 cm)
5 Gallon	25 in (63.5 cm)*	10 in (25.4 cm)
10 Gallon	28 in (71.1 cm)*	13 in (33.0 cm)

\*Add at least 12 in (30.5 cm) to the height to access the lid and top components

© 2024 Cost Effective Equipment, LLC.

All statements, technical information, and recommendations contained herein are based on tests we believe to be accurate, but the accuracy or completeness thereof is not guaranteed and the following is made in lieu of warranty expressed or implied. Neither the seller nor the manufacturer shall be liable for any injury, loss, or damage, direct or consequential, arising from the use or inability to use the product. Before using, user shall determine the suitability of the product for his intended use, and user assumes all risk and liability whatsoever in connection therewith. No statement or recommendation contained herein shall have any force or effect unless in an agreement signed by officers of the seller and manufacturer.

Effective Date: 1/30/2024 Rev A