

Pressure Can Dispense



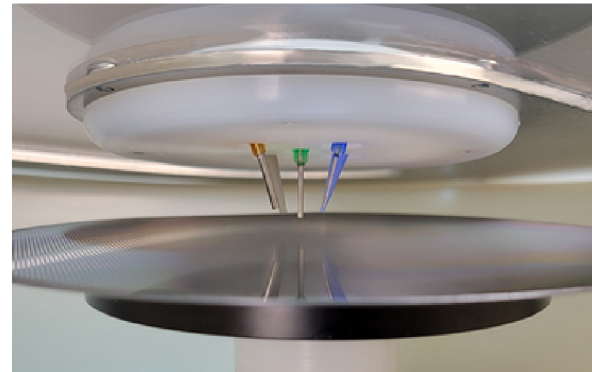
Cee® offers multiple dispense options to accommodate your processes. Whether you need to dispense manually or want to automate, thin or thick films, large or small volumes, Cee® has you covered.

Serving the Semiconductor Industry Since 1987

SPECIFICATIONS

- Viscosity range: 1-3,000 cps (<10,000 cps with a gravity-fed option and upgraded valve)
- Max fluid pressure: 29 psi (<90 psi with upgraded valve)
- Tubing OD: 1/8" (0-100 cps) or 1/4" (100-5,000 cps)
- Valve Size: 1/8" (0-100 cps) or 1/4" (100-3,000 cps)
 - 3,000-5,000 cps with upgraded valve
- Manual adjustment of pressure, rate, and timing (~0.1 second)
- Reservoir sizes: 1 gallon to 10 gallons

*Common materials include solvents, DUV BARCs, JSR M91Y/M230Y resists, Shipley S1800 resist, AZ 1500 resist, PMMA, and AZ 5200 resist



DESIGN

- Fluid path consists of PFA, PTFE, and 304/316 stainless steel (fully passivated)
- PFA closure o-rings
- PTFE empty sensor
- Integrated manual vent valve
- Oversized opening for easy filling
- PTFE dispense valve with flow rate and suckback adjustment
- Assorted dispense tip gauges
- Optional PFA coating
- Optional in-line filter

COMPONENTS

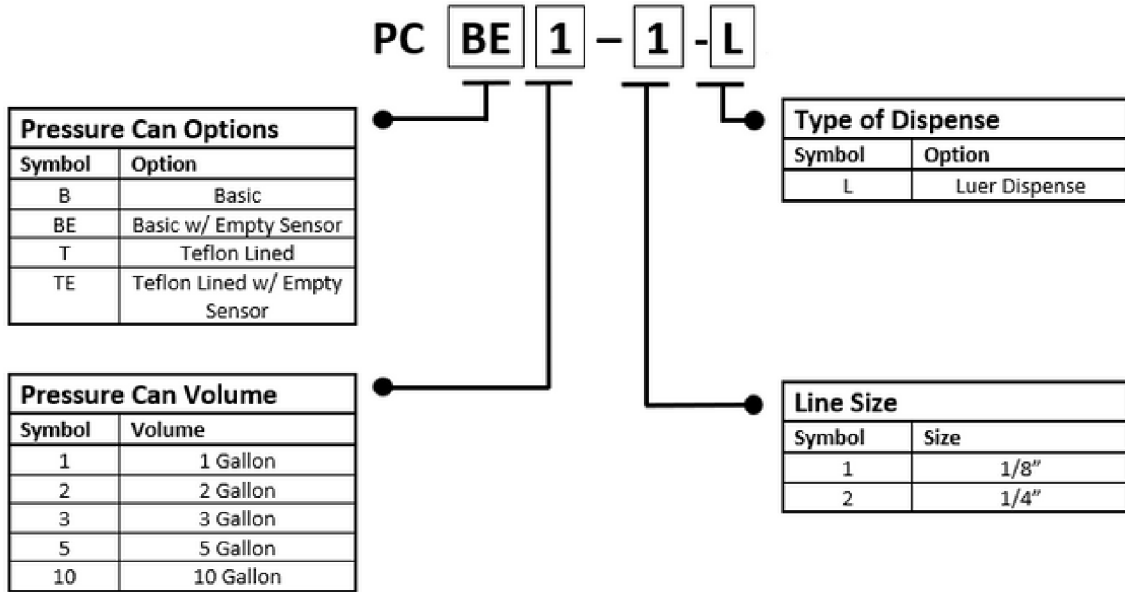
- Pressure canister w/ fittings and empty sensor
- Dispense valve with 12" of PFA tubing (fluid output)
- Stream nozzle and assorted tips
- 6ft (2m) of 1/8" green poly tubing (N2 source)
- 6ft (2m) of 1/8" clear poly tubing (valve trigger)
- 6ft (2m) of 1/8" or 1/4" PFA tubing (fluid source)

*Dispense control box required, sold separately

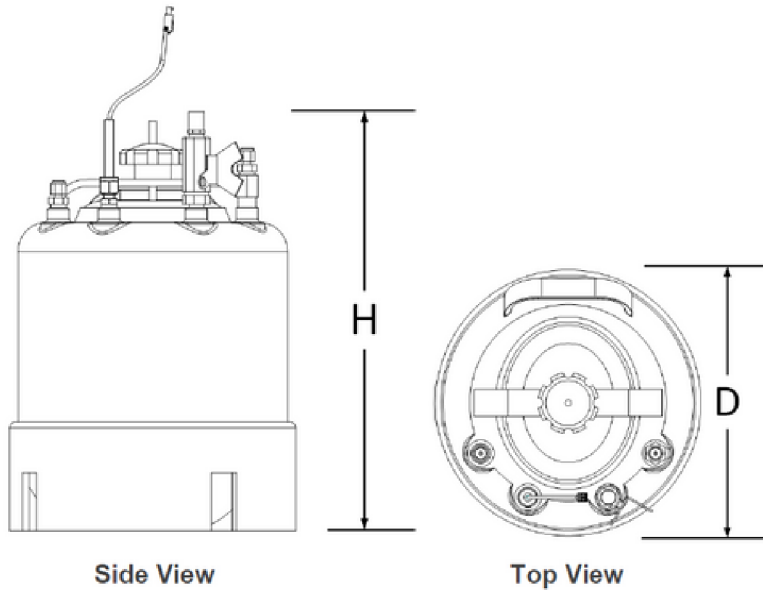
RELIABILITY

- Industry leading uptime
- 1-year full warranty on parts and labor
- Complimentary remote technical support for the life of the product
- Application process assistance for the life of the product

PRESSURE CAN CONFIGURATION



DIMENSIONS



Size	Height (H)	Diameter (D)
1 Gallon	11.5 in (29.2 cm)*	10 in (25.4 cm)
2 Gallon	14.5 in (36.8 cm)*	10 in (25.4 cm)
3 Gallon	18 in (45.7 cm)*	10 in (25.4 cm)
5 Gallon	25 in (63.5 cm)*	10 in (25.4 cm)
10 Gallon	28 in (71.1 cm)*	13 in (33.0 cm)

*Add at least 12 in (30.5 cm) to the height to access the lid and top components

© 2024 Cost Effective Equipment, LLC.

All statements, technical information, and recommendations contained herein are based on tests we believe to be accurate, but the accuracy or completeness thereof is not guaranteed and the following is made in lieu of warranty expressed or implied. Neither the seller nor the manufacturer shall be liable for any injury, loss, or damage, direct or consequential, arising from the use or inability to use the product. Before using, user shall determine the suitability of the product for his intended use, and user assumes all risk and liability whatsoever in connection therewith. No statement or recommendation contained herein shall have any force or effect unless in an agreement signed by officers of the seller and manufacturer.

Effective Date: 1/30/2024 Rev C